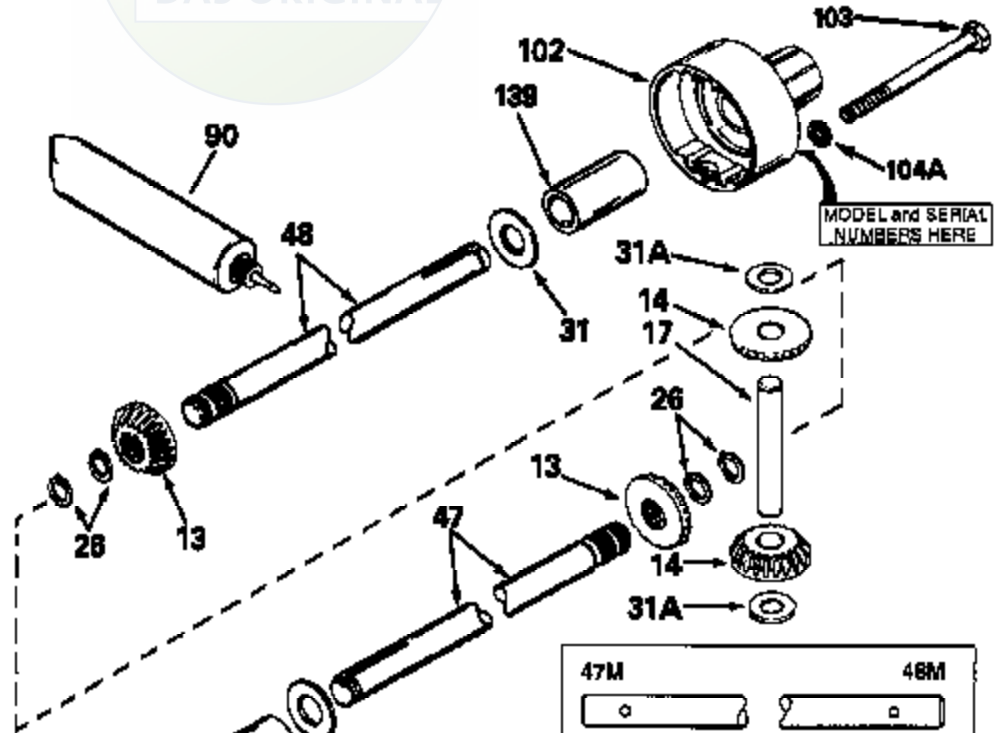


# JOIST

SICHER IST DAS:  
DAS ORIGINAL

47	48
47A	48A
47B	48B
47C	48C
47D	48D
47E	48E
47H	48H
47L	48L



47M	48M
47P	48P
47R	48R
47V	48V
47W	48W
47X	48X

MODEL and SERIAL  
NUMBERS HERE

MODEL and SERIAL  
NUMBERS HERE



Ref #	Part Number	Qty	Description
14	778068		Gear, Pinion (16 teeth)
17	786040		Pin, Drive
26	788038		Ring, Retaining
31A	780096		Washer, Thrust
31	780001		Washer (3/4" ID x 1-1/2" OD x 1/16" t hick)
47E	774218A		Axle (11-23/64" long) (Incl. No. 26)
48E	774219A		Axle (16-11/64" long) (Incl. No. 26)
82	786051		Sprocket. No Teeth 60. O.D. 9.841
82	786070		Sprocket. No Teeth 48. O.D. 7.920
82	786041A		Sprocket. No Teeth 45. O.D. 7.389
82	786042		Sprocket. No Teeth 40. O.D. 6.650
82	786043		Sprocket. No Teeth 54. O.D. 8.823
90	788067B	100-138A	Grease (2 bottle Bentonite greas e)
101	774344	Peerless	Differential Carrier Hsg (Incl. 137)
102	774345		Differential Carrier Hsg (Incl. 139)
103	792041		Screw, 5/16-18 x 3-3/4"
104	792042		Nut, Lock, 5/16-18 (Use as required)
104A	792061		Washer, Flat, 5/16"
137	780077		Bushing (3/4" ID x 1-1/16" OD x 2-1/1 6" long)
139	780077		Bushing (3/4 ID x 1-1/16" OD x 2-1/16 " long)

100-138A  
Peerless

Page 2 of 2